



**KERALA PAPER PRODUCTS LIMITED**  
(A Government of Kerala Undertaking)

INVITATION TO TENDER

05/04/2024

To .....

Dear Sirs,

Inquiry No. : KPPL/CP/WS/1899  
Due Date: 11/04/2024  
Email ID: [tenders@kpplonline.in](mailto:tenders@kpplonline.in)

We invite you to submit your quotation for the following goods by e-mail in PDF format indicating our Inquiry No. and due date to [tenders@kpplonline.in](mailto:tenders@kpplonline.in) before due date ie on 11/04/2024.

Sl.No.	Description	Unit	Qty
1	SPRAY NOZZLE FOR DRUM FILTR SPRAY NOZZLE FOR DRUM FILTER AS PER DRAWING No.HNL/471/A4-064 MATERIAL : SS 304	NO	100

Terms of Delivery: Free Delivery at our KPPL Store.

Terms of Payment: Within 30 days after receipt subject to acceptance.

Delivery required in case of placement of an Order based on this enquiry: **Immediate.**

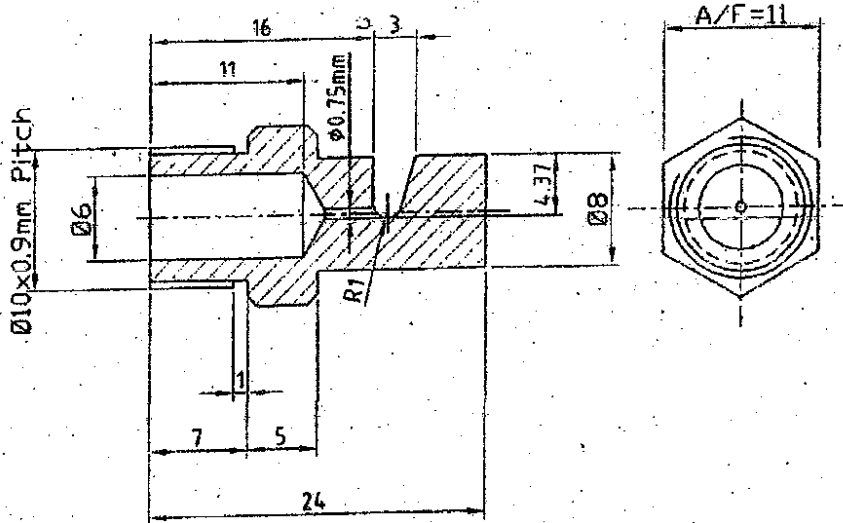
Your offer should be specific with following break-up:-

- |                   |   |                   |
|-------------------|---|-------------------|
| 1. Basis of price | 4. GST                                      | 7. Delivery Time: |
| 2. Basic Price    | 5. Discount offered %                       |                   |
| 3. Excise Duty %  | 6. Other charges%(Like<br>P&F, Freight etc) |                   |

Your offers should be mailed to [tenders@kpplonline.in](mailto:tenders@kpplonline.in) only otherwise offers will not be considered. You may please indicate the tender number as the subject of the mail.

Yours faithfully  
For Kerala Paper Products Ltd

AUTHORISED SIGNATORY



NOTE:-

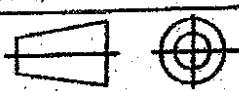
ALL DIMENSIONS ARE IN mm.

12.5 / ( 6.3 / 3.2 / 1.6 / 0.8 ) MC/ALL OVER.



HINDUSTAN NEWSPRINT LIMITED

Newsprint Nagar:

	SIGN	DATE	TITLE		REV
DRN	<i>Matthew</i>	22-11-2002	SPRAY NOZZLE FOR DRUM FILTER		
TRCD					
CHKD	<i>MATHEW</i>	22-11-2002			
APPD			SCALE:- 2:1	MATERIAL:- BRASS	
APPD				HNL-471-A4-064	0
DEF					



**KERALA PAPER PRODUCTS LIMITED**  
(A Government of Kerala Undertaking)

**CONDITIONS OF TENDER**

1. **Price** : It should be quoted item-wise with tax, duties etc. In case packing and forwarding charges are involved the same should be shown separately, if not it will be treated as inclusive. The rates quoted should be in words and figures invariably
  2. **Excise Duty, Cess & GST** (a) : Taxes should be shown separately, wherever applicable  
(b) : Rates of taxes should be clearly indicated.  
(c) : Excise duty & cess payable should be indicated separately with rates of duty/cess.  
(d) : Other taxes should also be shown separately.  
(e) : MODVAT is not applicable for our purchase.
- Note** (a): If duty/cess and taxes are not shown specifically it will be assumed that the rates quoted are inclusive of the same for all purpose. However in the event of an order arising out of the offer, break-up of taxes and duties to be shown separately in the invoice.  
(b) : In case you are a SSI Unit/ Khadi and village industry, the same may be indicated with registration number and copy of the certificate.
3. **Basis of price** : The price should be quoted indicating either F.O.R Dispatching station or F O.R Destination basis. If no specific mention is made in your offer , price will be treated as FOR Destination.
  4. **Validity of offer** The tenders should be valid for a minimum period of 60 day from the due date.
  5. **Delivery period**: A firm delivery date/period should be indicated. Delivery period reckoned shall be treated from the date of release of purchase order.
  6. **Firm price** : In the event of order price shall be firm till complete execution of the order.
  7. **Payment terms**: Our payment term is within 30 days after receipt subject to acceptance of materials . Offers with other payment terms is liable to the rejected/cost loaded.
  8. **Correction and errors** : Quotation should be free corrections and errors.
  9. **Technical details of offer**: Manufacturers name, country of origin and brand/make of the materials offered must be clearly specified . Complete/detailed illustrated, literature must accompany all quotations
  10. **I.S Marking** : Contracts as a result of this tender enquiry will be only for stores having I.S. marking and in case I.S. marked articles are not available ,stores strictly confirming to IS specification. will be preferred.
  11. **Penalty** Penalty shall be imposed in the form of Liquidated damages at the rate of 0.5% per week or part thereof of the value of the goods for the delayed period beyond the stipulated delivery date in the order duly accepted by vendor. This recovery will be limited to 10% of value of goods without prejudice to the purchaser's other rights.
  12. **Rights of acceptance or rejection of tender** : KPPL does not bind itself to accept the lowest or any tender or assign any reason for non acceptance. It further reserves the right to accept any tender wholly or in part at its option. It also reserves to itself the right to take 25% more/less of material on any orders placed against this enquiry.
  13. **Acceptance of Full/part quantity** : Tenders should clearly mention whether the prices hold good when full quantity of enquiry is not ordered but only a part of it. Unless otherwise mentioned, it would be assumed that the rates hold good even for lesser quantities.

14. **Vendors Registration No.**

: Please indicate in your quotation the registration No. allotted by us and its validity

15. **Non submission of offer:**

:In case you are unable to submit the offer against this tender, please send a regret letter to that effect.

16. **Submission of offer**

: The offers should be submitted by e-mail in PDF format indicating our Inquiry No and due date to [tenders@kpplonline.in](mailto:tenders@kpplonline.in), before due date.

17. Price evaluation :

Shall be based on the terms and conditions mentioned in the tender. In case of any deviation in the terms and conditions or in the technical specifications or in any other, requirement. The Company reserves the right to reject the submitted bids or do the price

Evaluation based on the impact of the deviations in the bid, if any.